

#1510 Standard TV Mounting Plate for Screw Down Application

Material: 13 Gauge Hot Rolled Steel, Pickled & Oiled

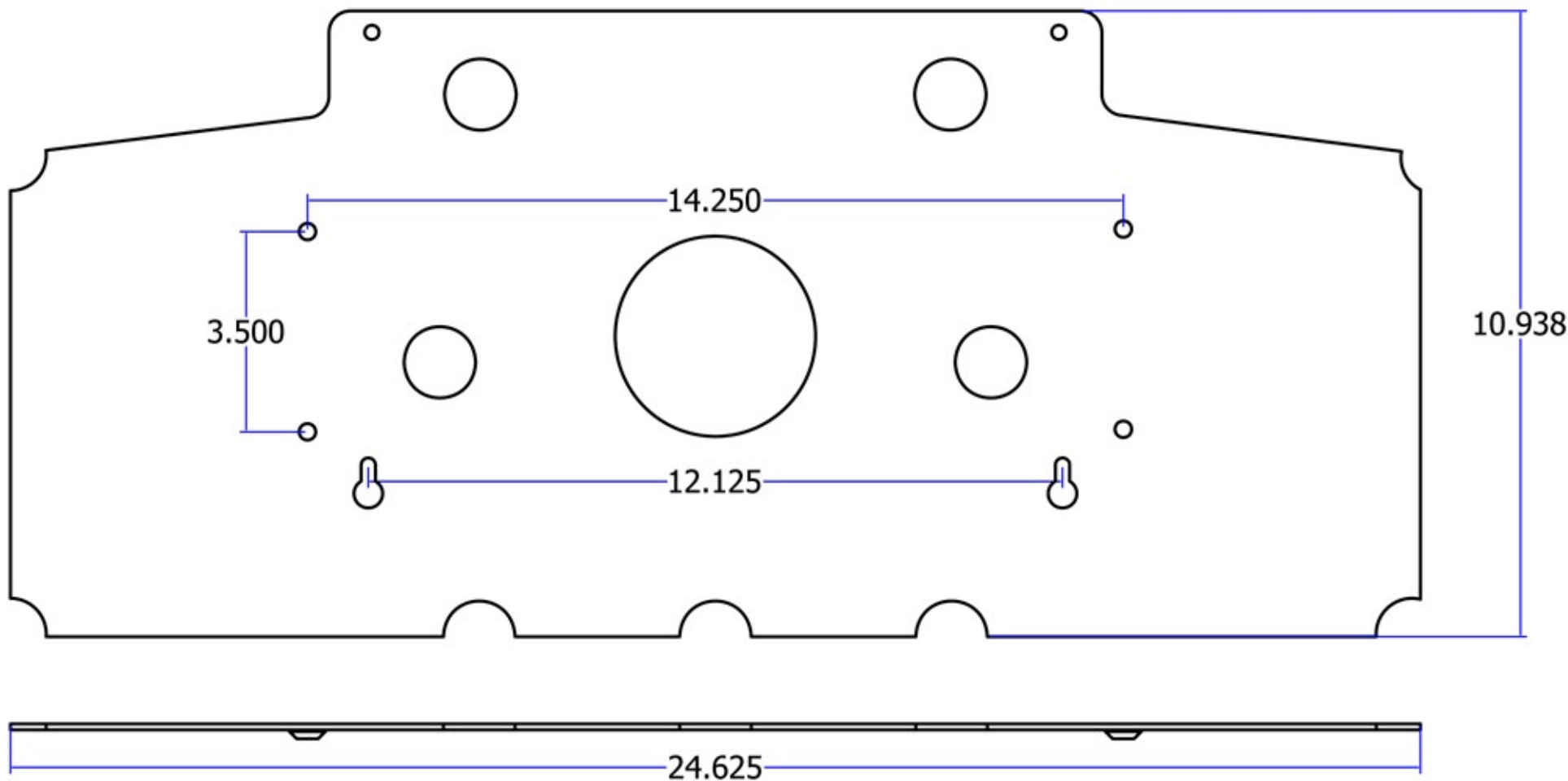
Finish: Dull Black Powder Coat

Overall Dimension: 24-5/8" x 10.94"

Mounting Hardware Included: 2 pcs. Button Head Scecurity Screws, 2 pcs. Keyhole Screw, & 4 pcs. M5 x 5/8" Flat Head Bolt.

Designed for use with LG Models:

LG 42LC5DC and 42LC50C



Item Number/Description

#1510 Standard TV Mounting Plate



j.g.edelen
company, inc.

Date

Scale

Patent Pending