

**#1505 Aomni 37" and 42" TV Mounting Plate w/ four 1/4"x 20" Internal Thread Inserts.  
Mounts to Standard AL370V7 and AL420V7 Aomni Televisions**

**Material: 13 Gauge Hot Rolled Steel, Pickled & Oiled**

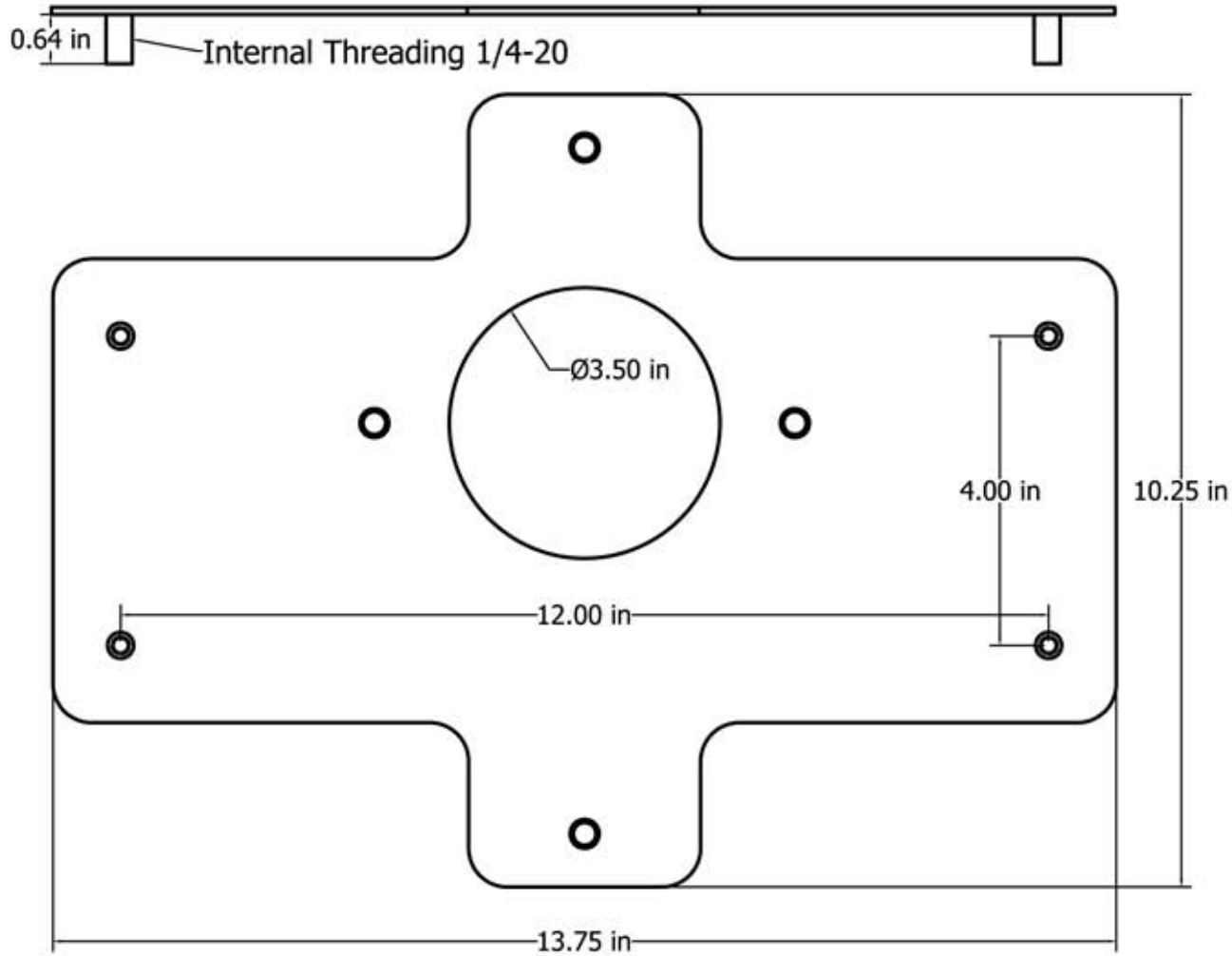
**Finish: Dull Black Powder Coat**

**Overall Dimension: 10-1/4" x 13-3/4"**

**Mounting Hardware Included: 4 pcs. 12-24 x 1/2" Flat Head Thread Cutting Screw**

**4pcs Countersunk Washer & 4 pcs. Flat Head Tamper Proof Torx 1/4 x 2"**

**Weight: 2.17 lbs.**



Item Number/Description

**#1505 Aomni 37" and 42" TV Mounting Plate**

Date

Scale 1:4

Patent Pending



**j.g.edelen**  
company, inc.