

**#1504 Aomni 32" TV Mounting Plate w/ four 1/4"x 20" Internal Thread Inserts.**

**Mounts to Standard AL321A7 and AL321V7 Aomni Televisions**

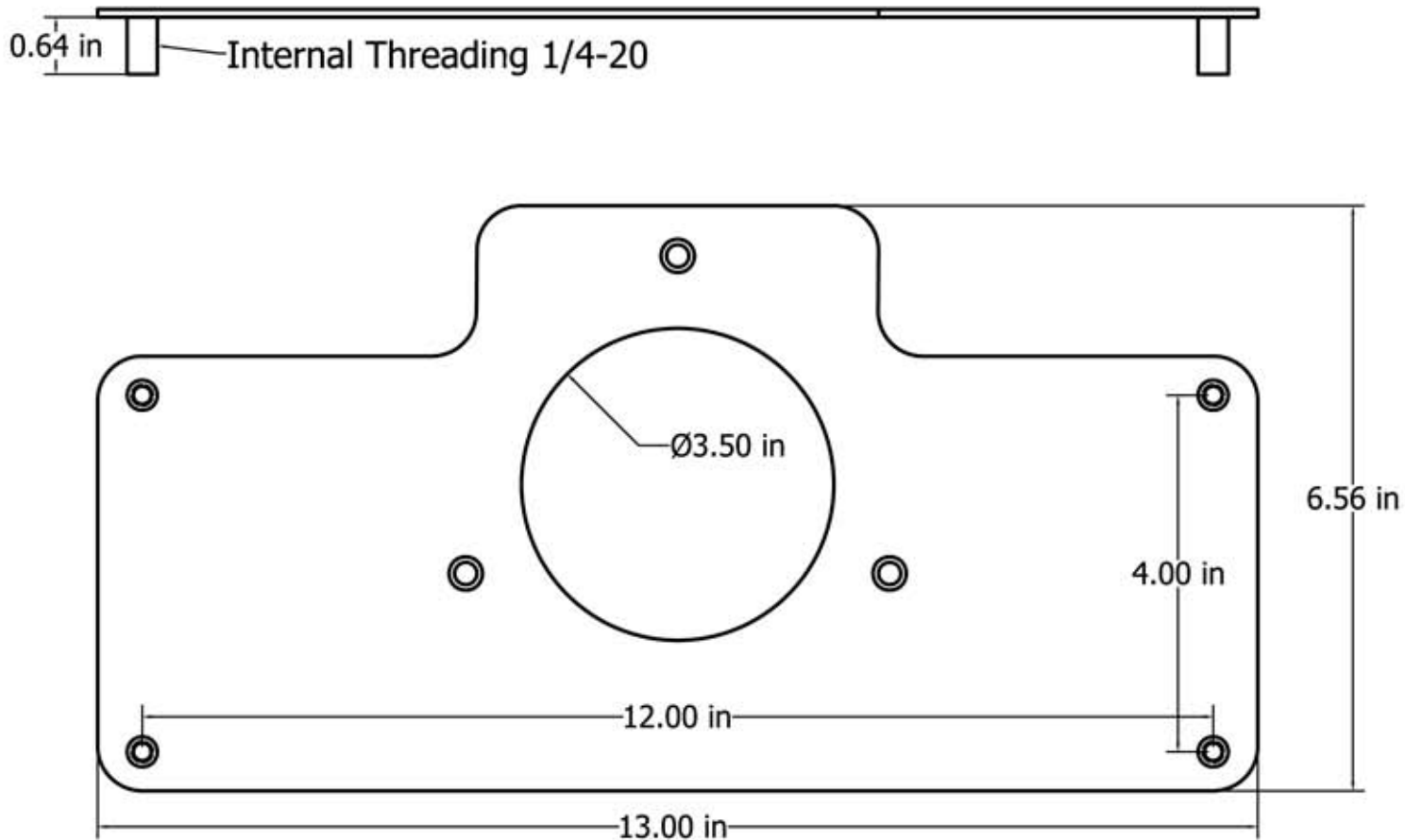
**Material: 13 Gauge Hot Rolled Steel, Pickled & Oiled**

**Finish: Dull Black Powder Coat**

**Overall Dimension: 6-9/16" x 13"**

**Mounting Hardware Included: 4 pcs. Flat Head Tamper Proof Torx 1/4 x 2", 4pcs Countersunk Washer & 3 pcs. #10 x 3/8 Thread Forming Screw**

**Weight: 1.6 lbs.**



Item Number/Description

**#1504 Aomni 32" TV Mounting Plate**



**j.g.edelen**  
company, inc.

Date 05/23/07

Scale 1:4

Patent Pending